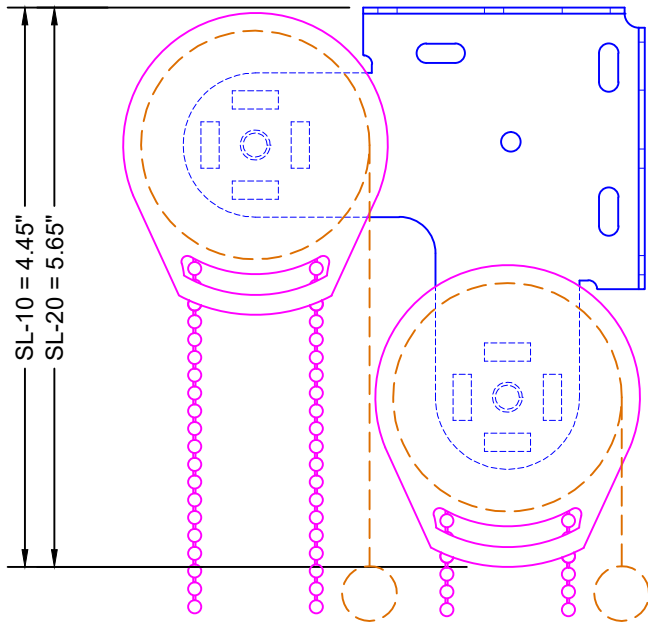
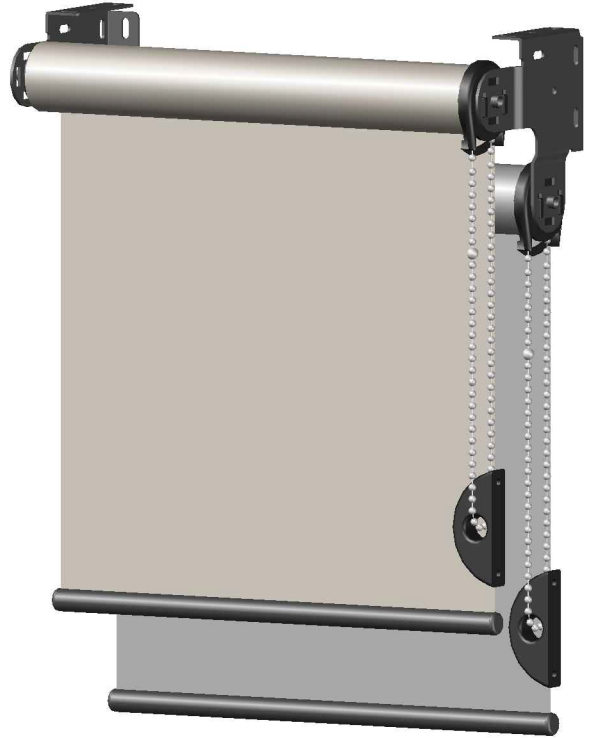
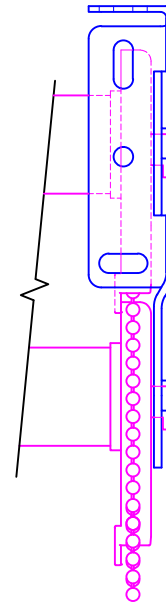


TOP VIEW



SIDE VIEW



FRONT VIEW

**LEGEND**

- 45° DUAL BRACKET
- SL-20 CLUTCH
- FABRIC W/ BOTTOM RAIL



3117 NW 25th Ave, Phone: 954.974.0525  
 Pompano Beach, FL 33069 Fax: 954.974.0529

DESCRIPTION:

**5" 45° DUAL  
SHADE SYSTEM**

SCALE: 6" = 1'-0"

DATE: 4/1/2012

SHEET NO:

**R-5.2**