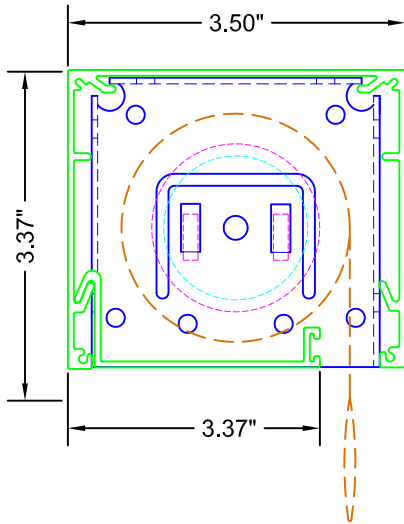
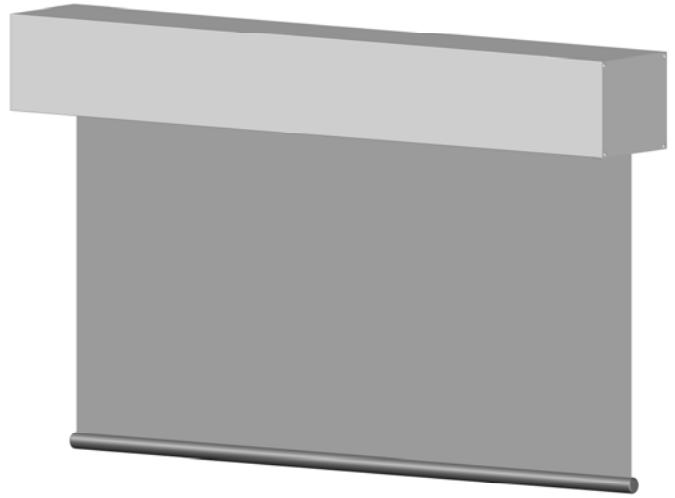
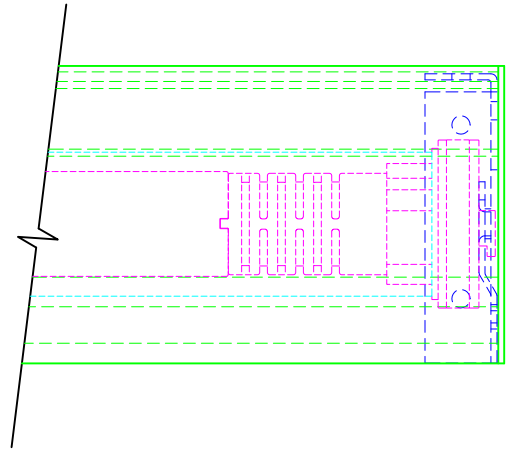


TOP VIEW



SIDE VIEW



FRONT VIEW

LEGEND

- 3" HEAD BOX
- 3" BRACKET
- SONESSE 30 MOTOR
- 1.5" ALUMINUM TUBE
- - - FABRIC W/ HEM BAR



3117 NW 25th Ave, Phone: 954.974.0525
 Pompano Beach, FL 33069 Fax: 954.974.0529

DESCRIPTION:

**SONESSE 30
 MOTORIZED SHADE**

*SHOWN ON 3" CONTRACT SERIES

SCALE: 6" = 1'-0"

DATE: 7/10/2012

SHEET NO:

R-9.13